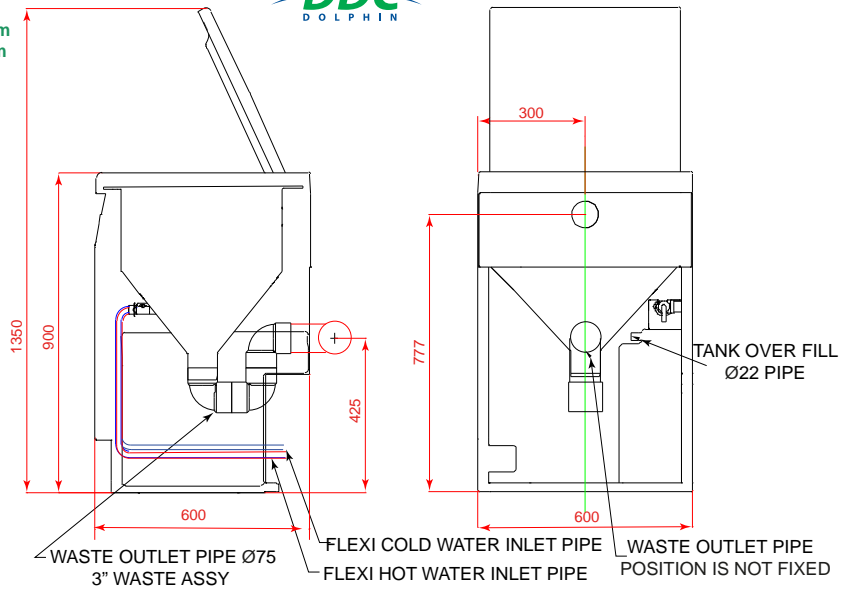


Panamatic Optima 3 Waste Heights

Range between:-

425 mm Maximum
180 mm Minimum



Panamatic Optima 3 : Product Data



The Fulcrum, Vantage Way, Poole, Dorset BH12 4NU
tel: +44 (0) 1202 731555 | fax: +44 (0) 1202 731666
info@ddcdolphin.co.uk

www.ddcdolphin.co.uk

DDC Dolphin, Pulpmatic, Panamatic, Incomatic, Hygenex, MicrobeSafe are Registered Trademarks

The Panamatic Optima 3

Exceptional capacity with easy loading, perfect for busy dirty utility areas

This top of the range Panamatic Optima 3 combines exceptional capacity and versatility within a surprisingly compact frame. In busy hospital dirty utility areas, the Panamatic Optima 3 excels. It executes a hot prewash at the beginning of each cycle ensuring all equipment is thoroughly cleaned before the efficient steam disinfection cycle. A combination of high pressure rotating nozzles and strategically sited spray jets ensure superior wash performance. Its large wash chamber accommodates, with ease, three bedpans with lids or 2 large bowls per cycle. This exceptional capacity is concealed within a surprisingly compact frame, the Panamatic Optima 3 helps you clear workloads quickly and effectively.

Automatic Disinfection - Thermal disinfection complies with the very latest standards and guidelines, including HTM2030

Easy service programme – Service support is provided by our own specialist and highly skilled engineers and we offer a choice of fully comprehensive service contracts focused on individual customer needs.



Key Features

Hands free lid opening

Hot prewash cycle

Exceptional capacity

Easy loading

Increased wash performance

Automatic disinfection

Efficient and economical

Environmentally friendly

Easy to install

Easy service programme

Due to a policy of continuous development and improvement the right is reserved to supply products which may differ slightly from those described in this brochure

General	
Stainless Steel grade:	304
Dimensions: w x h x d	600 x 900 x 600 mm
Weight:	Dry 77kg
Capacity:	3 pots + 3 urine bottles
Operation cycle time:	10 minutes
Decibel rating:	58.1 dba
Electrical	
Voltage: 110V	N/A
Voltage: 230V	50Hz dedicated 13A breaker
Voltage:230V	60Hz dedicated 13A breaker
Voltage: 415V	N/A
Cable connection: 230V	3 core sheathed x 1.5mm ² , 2m long
Cable connection: 415V	N/A
Circuit Protection:	30mA RCD, GFI, IEC60364 compliant
Rated power input:	2.55kW
Electrical consumption per cycle:	0.28kW
Steam generator power:	2.5kW
Motor power:	N/A
Pump power:	0.75kW
Water	
Water connection:	¾" BSP male fittings required
Water pressure:	Hot & cold water ¾" 0.5-10 bar
Water flow rate (Min):	12 Litres per minute at 1 bar
Water tank capacity:	27 Litres
Water consumption per cycle:	57 Litres
Waste connection:	N.B. 75mm (3")
Overflow connection:	22mm
Disinfection	
Recommended disinfection detergents:	EcoWash+ or EcoWash+ Ultimate
Disinfection tank volume: (external)	5 Litres
Disinfection dosing per cycle:	30 Millilitres