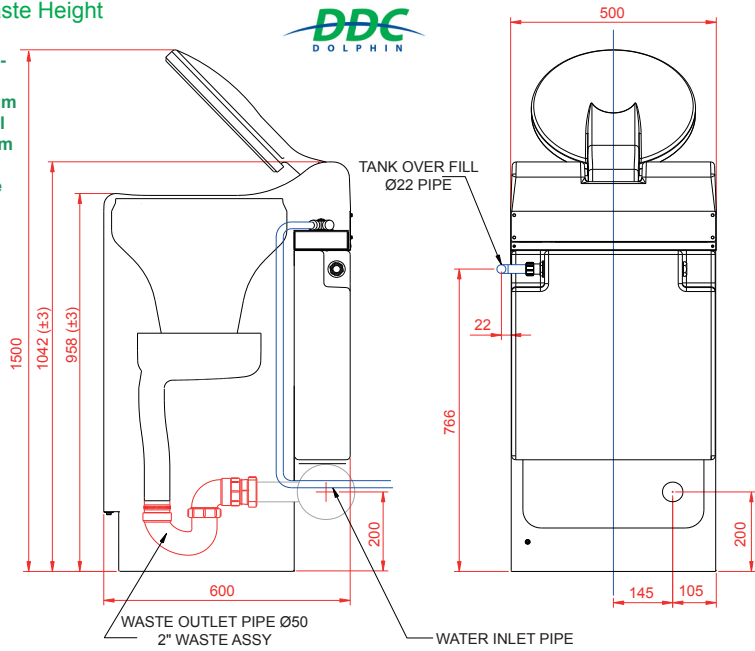


### Incomatic Waste Height

Range between:-  
250 mm Maximum  
200 mm Nominal  
180 mm Minimum  
to centre of pipe



### Incomatic : Product Data



The Fulcrum, Vantage Way, Poole, Dorset BH12 4NU  
tel: +44 (0) 1202 731555 | fax: +44 (0) 1202 731666  
info@ddcdolphin.co.uk

www.ddcdolphin.co.uk

DDC Dolphin, Pulpmatic, Panamatic, Incomatic, Hygenex, MicrobeSafe are Registered Trademarks



Hands free operation

# The DDC Incomatic

## Cost effective incontinence pad and nappy disposal

The Incomatic presents a convenient and hygienic means of disposing of incontinence waste, and what's more, the Incomatic can save you money! It couldn't be simpler, incontinent products are shredded into fine particles and then discharged into the sewage system. No storage, no smells, no mess. The Incomatic is supremely easy to use, quick and efficient, surprisingly quiet and with its advanced cutting technology able to dispose of up to 2 pads in less than 2 minutes.

**Patented hands free operation** - The Incomatic uses our patented totally hands free technology offering completely hands free operation by means of a foot cup at the base of the machine and a top mounted optical sensor to close and start the machine. This makes it not only more convenient, but also more hygienic to use than other macerators and greatly reduces the potential for cross contamination.

**Efficient and Economical** - Maceration is the preferred method of disposal for incontinence and nappy pad disposal and is recommended in Government guidelines aimed at reducing landfill disposal.

**Automatic disinfection** - The automatic disinfection dosing option will cleanse the drum after each cycle to meet EN1276 and EN13697 standards eliminating spores of up to 99.999% of major HCAI's.

**Easy service programme** – Service support is provided by our own specialist and highly skilled engineers and we offer a choice of fully comprehensive service contracts focused on individual customer needs.

*Please note:* Incomatic Macerators must be inspected and maintained by DDC Dolphin engineers every 3 months as a minimum to maintain the machines sharp cutting surfaces



**MicrobeSafe®**  
Antimicrobial Surface

## Key Features

Patented hands free open and close operation

Dual antimicrobial action

Advanced cutting technology

Cost effective disposal

Automatic disinfection

Efficient and economical

Easy to use

Easy to install

Easy service programme

Due to a policy of continuous development and improvement the right is reserved to supply products which may differ slightly from those described in this brochure

<b>General</b>	
<b>Stainless Steel grade:</b>	304
<b>Dimensions: w x h x d</b>	500 x 1042 (±3) x 600 mm
<b>Weight:</b>	Dry 75kg
<b>Capacity:</b>	1 Large or 2 small maceratable nappies
<b>Operation cycle time:</b>	120 seconds
<b>Decibel rating:</b>	60 dba
<b>Electrical</b>	
<b>Voltage: 110V</b>	N/A
<b>Voltage: 230V</b>	50Hz dedicated 13A breaker
<b>Voltage: 230V</b>	60Hz dedicated 13A breaker
<b>Voltage: 415V</b>	50Hz 3Ph + Neutral & Earth, 16A
<b>Cable connection: 230V</b>	3 core sheathed x 1.5mm <sup>2</sup> , 2m long
<b>Cable connection: 415V</b>	5 core sheathed x 1.5mm <sup>2</sup> , 2m long
<b>Circuit Protection:</b>	30mA RCD, GFI, IEC60364 compliant
<b>Rated power input:</b>	2.6kW
<b>Electrical consumption per cycle:</b>	0.034kW
<b>Steam generator power:</b>	N/A
<b>Motor power:</b>	2.2kW
<b>Pump power:</b>	0.345kW
<b>Water</b>	
<b>Water connection:</b>	¾" BSP male fitting required
<b>Water pressure:</b>	Cold water ¾" 0.5-10 bar
<b>Water flow rate (Min):</b>	12 Litres per minute at 1 bar
<b>Water tank capacity:</b>	24 Litres
<b>Water consumption per cycle:</b>	37.5 Litres
<b>Waste connection:</b>	N.B. 50mm (2")
<b>Overflow connection:</b>	22mm
<b>Disinfection</b>	
<b>Recommended disinfection detergents:</b>	EcoCleanse+
<b>Disinfection tank volume: (external)</b>	5 Litres
<b>Disinfection dosing per cycle:</b>	8 Millilitres